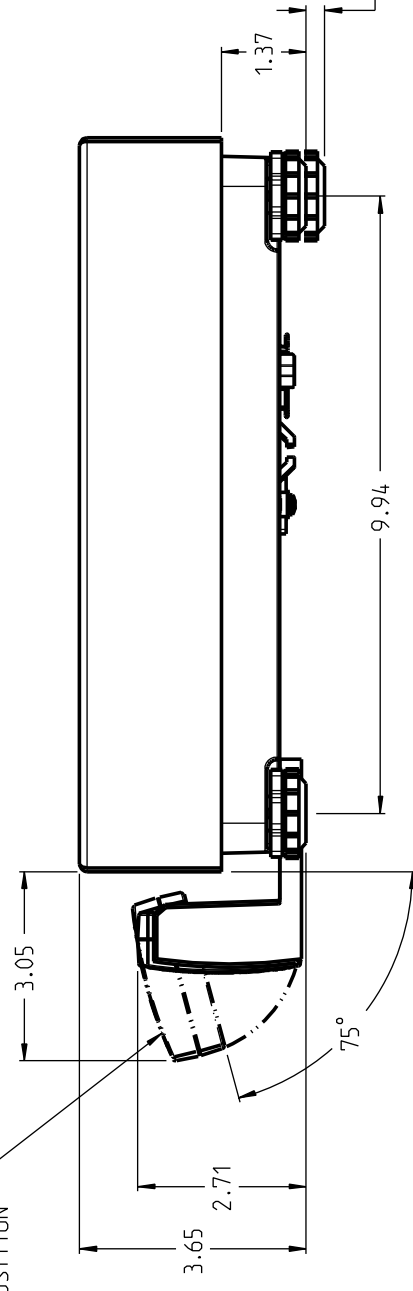


OPTIONAL DISPLAY POSITION



GENERAL DIMENSIONS - GSP30/GSP60

Eng. Release: 7/19/09/2013	Material: -	Standard Threads: ISO. 6H / 6g ANSI: class 2
Project: 5559-11	Finish: -	Mold/Cast dimensions according to: -
	All Dimensions are finished dimensions including treatment	Part edges according to: ISO 13715
	METTLER TOLEDO	Surface according to: ISO 1302: ISO 2768-2-K
	MW1 Worthington, OH USA	Drawn: JFH
	Refer to protection notice ISO 16016 / Schutzvermerk ISO 16016 beachten	Scale: 1:2
		Change: -
		9/12/2013
		Format: ANSI C
		Replaces: -
		Note: -
		Revision: -
REV	DESCRIPTION	BY
CHG		
		DATE
		AGENCY
		E.P.R. NO.
		APPVD
RECORD OF CHANGES		
DIMENSION DRAWING. GSP60		Units: INCH
Model: GSP60 00.17 Rel.Level: Design		Rel.Level: -
Drawing No: 30104629		Sheet: 1/1